

AN45: How to replace Allegro A4988 with TMC2208

Document Revision V1.3 • 2018-Jan-30

The TMC2208 is an advanced 1-axis stepper driver, which supports stealthChop™ and 256 microsteps. This appnote shows how to setup the TMC2208 as a replacement of the A4988 (legacy mode).

Contents

1 Pin Comparison	1
2 Application Example	4
3 Revision History	6

1 Pin Comparison

The TMC2208 in comparison with other motor drivers comes with additional features:

Power down	An automatic current reduction reduces power dissipation and cooling requirements. Per default, the stand still current reduction is enabled by pulling PDN_UART input to GND.
UART	The UART single wire interface allows control of the TMC2208 with any microcontroller UART. This gives the possibility to program the TMC2208 and add additional features such as full 256 Microsteps control (not only interpolation). UART is not available in legacy mode.
Diagnostics	An active DIAG output shows that the driver cannot work normally.
Index	The INDEX output signals the microstep counter zero position, which occurs once per electrical revolution/four fullsteps. In combination with a mechanical home switch, a more precise homing is enabled.
256 microsteps	The TMC2208 is able to control the motor with 256 microsteps per fullstep. In legacy mode the TMC2208 will interpolate received step signals to 256 microsteps.



For optimized performance in legacy mode it is recommended to consider the hints as shown in the comparison below:

Table 1: I/O pin comparison

Pin	A4988 Number	TMC2208 Number	Hints for series using TMC in legacy mode
1	OUT2B	OB2	-
2	$\overline{\text{ENABLE}}$	ENN	-
3	GND	GND	-
4	CP1	CPO	-
5	CP2	CPI	Tie to CPO using 22nF (not 100nF)
6	VCP	VCP	-
7	-	-	-
8	VREG	5VOUT	-
9	MS1	MS1	(a)
10	MS2	MS2	(a)
11	MS3	DIAG	Diagnostics output. High level upon driver error. Reset by ENN = high. (b)
12	$\overline{\text{RESET}}$	IndexX	Configurable index output. Provides index pulse. (c)
13	ROSC	CLK	CLK input. Tie to GND using short wire for internal clock or supply external clock.
14	$\overline{\text{SLEEP}}$	PDN_UART	Power down not control input (low=automatic standstill current reduction). Optional UART Input/Output. Power down function can be disabled in UART mode.
15	VDD	VCC_IO	-
16	STEP	STEP	-
17	REF	VREF	(d)
18	GND	GND	-
19	DIR	DIR	-
20	-	-	-
21	OUT1B	OA2	-
22	VBB1	VS	-
23	SENSE1	BRA	-
24	OUT1A	OA1	-
25	-	-	-
26	OUT2A	OB1	-
27	SENSE2	BRB	-
28	VBB2	VS	-



- (a) I/O Config: Using 2,4,16 microsteps won't require any change. See table 2 below. Different microstep configurations are marked **bold**:

Table 2: Configuration of microsteps with I/Os

TMC2208/A4988 MS1	TMC2208/A4988 MS2	A4988 MS3	A4988 Microsteps	TMC2208 Microsteps
low	low	low	1	8
high	low	low	2	2
low	high	low	4	4
high	high	low	8	16
high	high	high	16	16

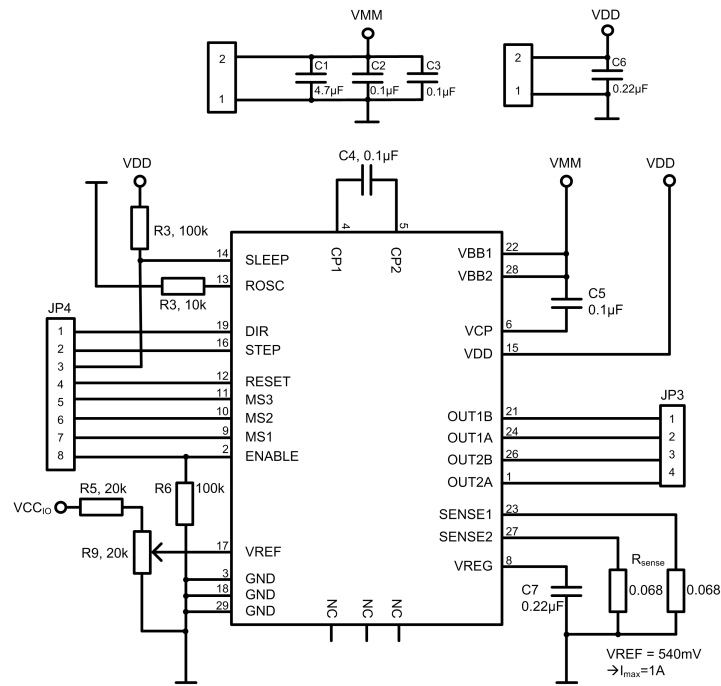
With default settings the TMC2208 will interpolate the microsteps set by the I/O configuration pins to 256 microsteps.

- (b) TMC2208 doesn't use third config pin for external microstep configuration, instead this pin offers optional diagnostic function. This is an output pin and should be set as input in the MCU, leave open if unused.
- (c) INDEX pin is an output pin and should be set as input in the MCU, leave open if unused.
- (d) Analog reference voltage for current scaling or reference current for use of internal sense resistors (optional mode). A voltage between 0V and 2.5V linearly scales the current between 0 and the current scaling defined by the sense resistor setting. Adjust sense resistors to motor current I_{RMS} :

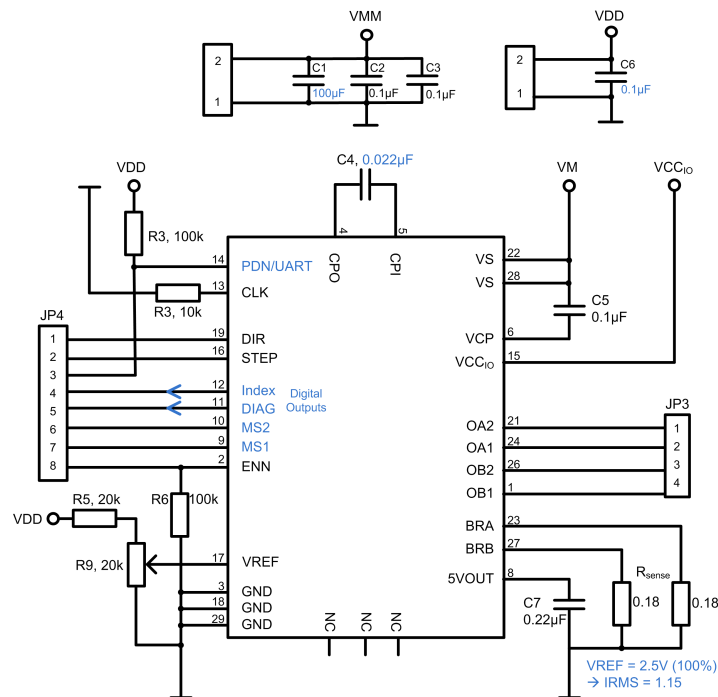
$$I_{RMS} = \frac{325\text{mV}}{R_{SENSE} + 20\text{m}\Omega} \cdot \frac{1}{\sqrt{2}} \cdot \frac{V_{REF}}{2.5\text{V}} \quad (1)$$



2 Application Example



(a) A4988



(b) TMC2208

Figure 1: Stepstick schematic



As an application example a schematic of an StepStick is depicted at the top (subfigure 1a). The TMC2208 is inserted and used in legacy mode (subfigure 1b). Recommended changed parts are marked blue. The Pins PDN/UART, INDEX, DIAG, MS2, MS1 feature additional or slightly changed functions as discussed in table 1.

The sense resistor should be chosen according to the motor current of the application. Table 3 shows the relation between sense resistor and current for $V_{REF} = 2.5A$ after equation 1. For the application example R_{SENSE} is set to 0.18Ω which allows to control motor currents up to 1.2A.

Table 3: Choice of R_{SENSE} and resulting max. motor current

R_{SENSE}	RMS current[A], $V_{REF} = 2.5V$ or open	Fitting motor type (examples)
1.00	0.23	300mA motor
0.82	0.27	
0.75	0.30	
0.68	0.33	400mA motor
0.5	0.44	500mA motor
0.47	0.47	
0.39	0.56	600mA motor
0.33	0.66	700mA motor
0.27	0.79	800mA motor
0.22	0.96	1 A motor
0.18	1.15	1.2A motor
0.15	1.35	1.5A motor
0.12	1.64*	
0.10	1.92*	

* Value exceeds upper current rating, scaling down required, e.g. by reduced V_{REF} .



3 Revision History

Version	Date	Author	Description
V1.0	04.05.2017	JPX	Initial version
V1.1	08.05.2017	JPX	Reduced size
V1.2	10.05.2017	JPX	Design changes
V1.3	30.01.2018	JPX	Correction formular (1)

Table 4: Document Revision

