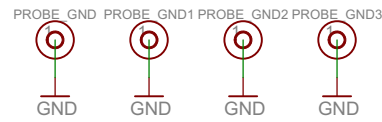


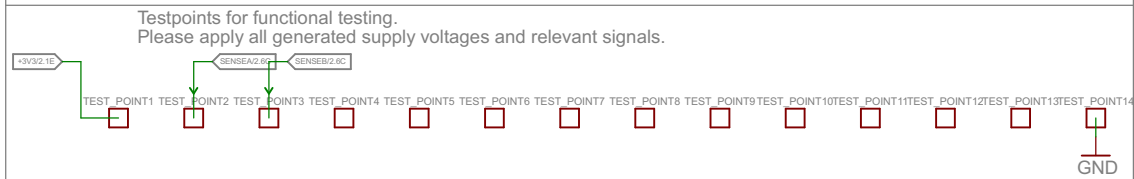
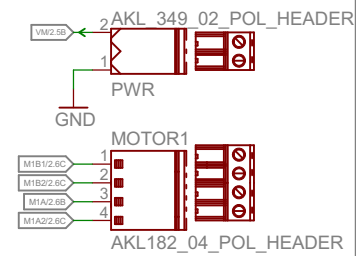
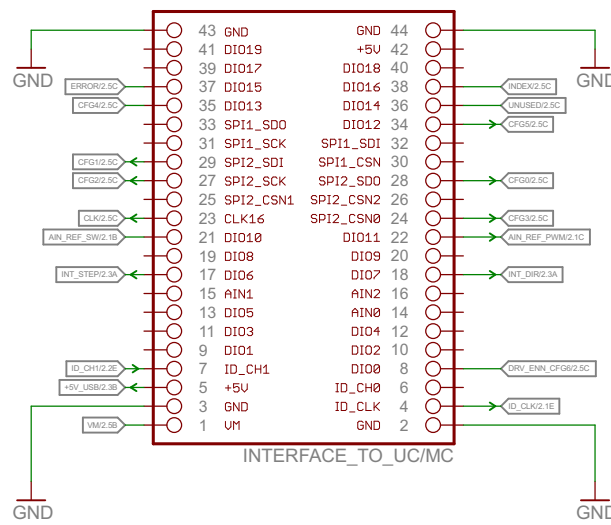
Changes to v13 (2015-07-20)

- Adapted footprint to avoid of production issues(noncritical)
- minor changes of design resulting from adaption of footprint



Please keep positions of all interconnectors if not absolutely impossible.

←
uC
or
Motion
Controller



Driver Board



